

Nautilus Assembly

pln.

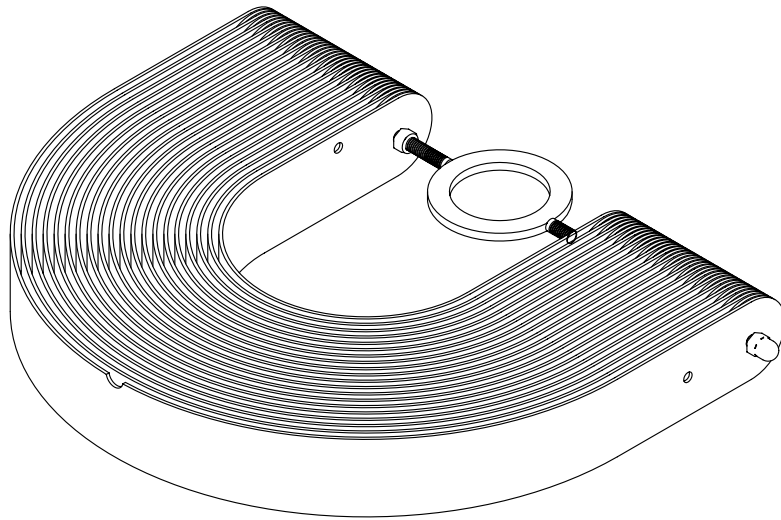
Instructions:

Its important to read through all the instructions and thoroughly look at photos first, before attempting to make up the Nautilus Lamp Shade.

Item supplied in kit set:

1 x Bamboo lamp with steel spider
40+ x Plastic rivets - Small Nautilus
50+ x Plastic rivets - Large Nautilus

NOTE: Use only energy saving light bulbs (low heat). A standard incandescent bulb will damage the lamp shade.



1x Bamboo lamp with steel spider



1x Assembly Instructions

40-50+ x Plastic rivets

1x Nautilus Story

Nautilus Assembly

1: Place the lamp shade onto a clean surface making sure the two holes on the inner most fan (fan 1) are on the bottom.



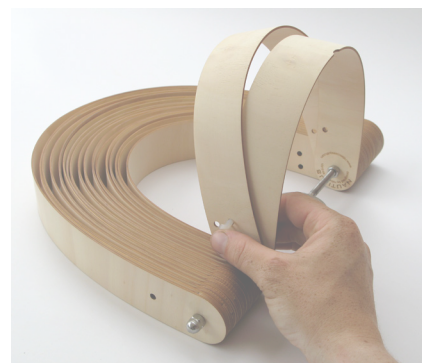
2: Pull fan 1 round to a vertical position (90 degrees to all other fans).



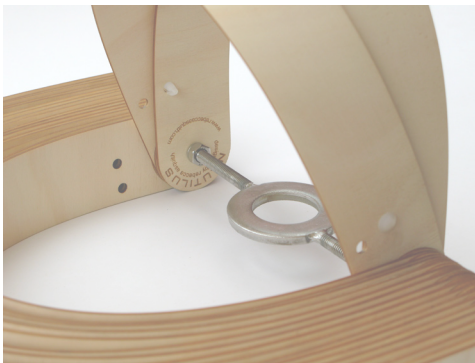
3: Pull fan 2 towards fan 1 until the holes in the middle of fan 2 are in line with the holes on fan 1.



4: At that position push 2 plastic rivets (one either side) right through the middle holes on fan 2 into fan 1; locking them together. Making sure the heads of both rivets are facing out.



5: Its important to put rivets in to both sides of fan before moving onto the next fan.



NOTE: When pushing rivets through, it helps to support the fans by placing two fingers either side of the hole that you are pushing the rivet into.

NOTE: if you have missed out a rivet somewhere you will need to go back and take out the rivet or rivets with pliers, being careful not to damage the lamp shade.

6: Now pull fan 3 towards fan 2 and 1, making sure to line up the middle holes of fan 3 with fan 2 outer holes. Fan 3 ends up covering the heads of the previous plastic rivets.



7: Repeat steps 4, 5 and 6.



8: Carry on until the lamp is 3/4 of the way done. At this stage you can either attach the lamp shade to the lamp holder, including the bulb (as per photo) or continue making it on a clean surface and then attach it to your lamp holder.



9: Continue pulling the remaining fans around into position, repeating steps 3 - 6 until completed. Ensuring that the cable sits in the grooves in the first and last fans.



To change the light and/or remove lamp shade from lamp holder.

- 1:** Take the weight of the lamp shade and feed cable into the shade.
- 2:** Place hands through the large gap at the top of shade and twist the spider round so bulb is facing up.
- 3:** Twist off bulb and lamp holder skirt and pull shade off holder.

Bulb

Use only low heat energy saving light bulbs:

- Small Nautilus 11-12 watt
- Large Nautilus 11-18 watt

Standard incandescent bulbs will damage the lamp shade.

NOTE:

Ensure to not leave lampshade resting on the ground or table for too long to avoid light deforming.

WARNING:

ALL ELECTRICAL WORK YOU MUST USE A QUALIFIED ELECTRICIAN. DO NOT HANG IN WET AREAS, FOR EXAMPLE BATHROOMS AND KITCHENS.

