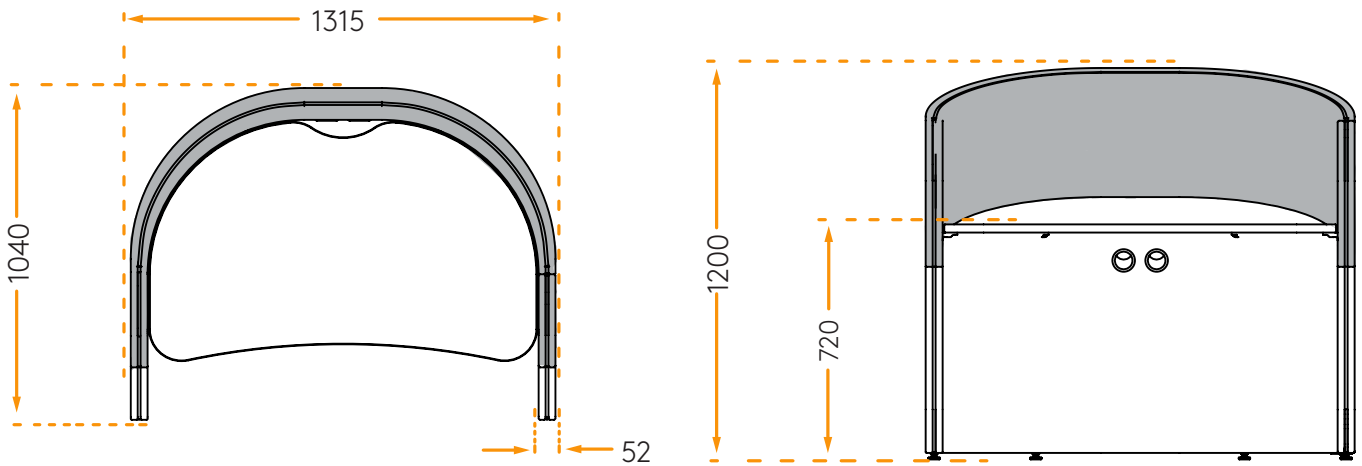


PARK POD



Dimensions

About

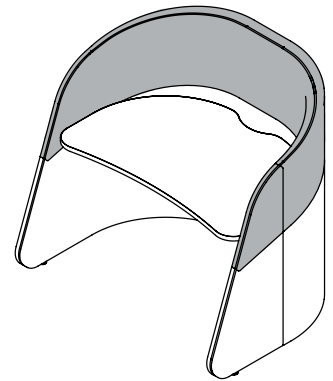
Designed by PLN, Park is a step up in modular workpods.

Park is a statement element that sets the atmosphere of a space.

Designed with acoustics in mind, Park works to minimize distractions and dampen noise while simultaneously being curved in a way that makes collaboration across the pods easy, and reduces the risk of distracting other pod users.

Built without limitations on length of the chain, you could simply have a double Park set up as the centerpiece of your space, or a hundred Parks chained across your work floor.

The visual inspiration for Park can be traced to swooping hillsides, crisscrossing and curving into one another.



Specifications

- High-quality materials and premium upholstery for long-lasting durability.
- Light-weight MDF frame, water-based glues
- Worktops available in Standard Melteca (LPL) with edgebanding, Plytech Futura (European Birch HPL), or Plytech Spectrum Eco (Finnish Birch HPL). Prices may vary, please enquire.
- Power Data excluded in standard pricing, please enquire.
- Internal routing provided; assumes floor sourced power connection
- Units nest for economical shipping.
- Weight: 45 kg

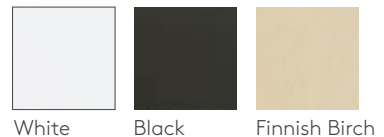
Designed and made in New Zealand.

WORKTOP COLOURS

Standard Melteca

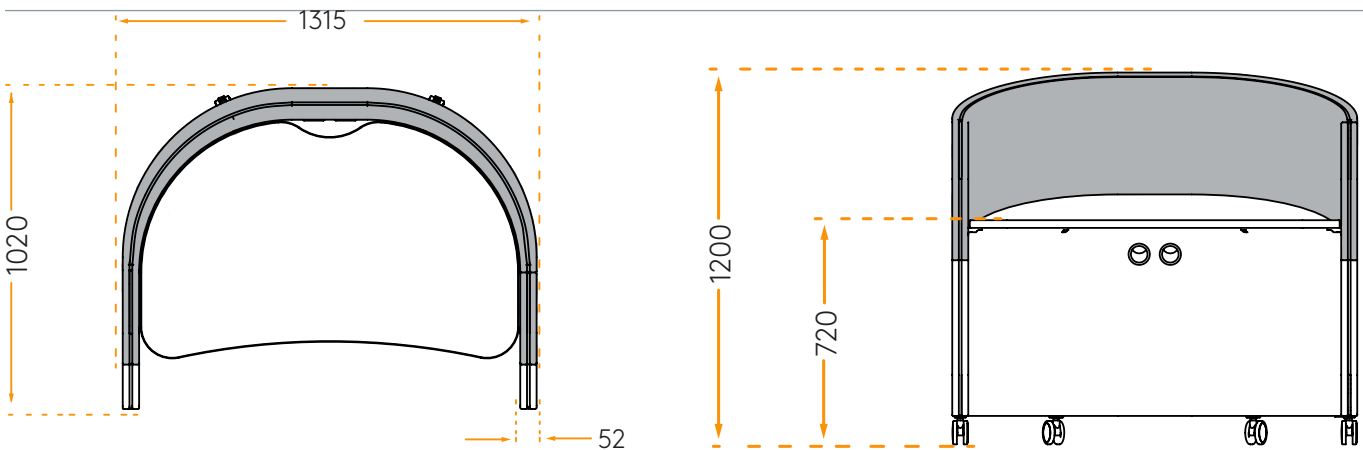


Futura HPL



Spectrum Eco





Dimensions

About

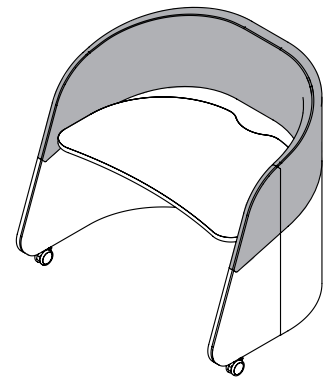
Designed by Troy Darrow of PLN Group, Park is a step up in modular workpods.

Park is a statement element that sets the atmosphere of a space.

Designed with acoustics in mind, Park works to minimize distractions and dampen noise while simultaneously being curved in a way that makes collaboration across the pods easy, and reduces the risk of distracting other pod users.

Built without limitations on length of the chain, you could simply have a double Park set up as the centerpiece of your space, or a hundred Parks chained across your work floor.

The visual inspiration for Park can be traced to swooping hillsides, crisscrossing and curving into one another.



Specifications

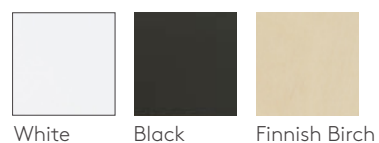
- High-quality materials and premium upholstery for long-lasting durability.
- Light-weight MDF frame, water-based glues
- Worktops available in Standard Melteca (LPL) with edgbanding, Plytech Futura (European Birch HPL), or Plytech Spectrum Eco (Finnish Birch HPL). Prices may vary, please enquire.
- Power Data excluded in standard pricing, please enquire.
- Internal routing provided; assumes floor sourced power connection
- Units nest for economical shipping.
- Weight: 45 kg

WORKTOP COLOURS

Standard Melteca



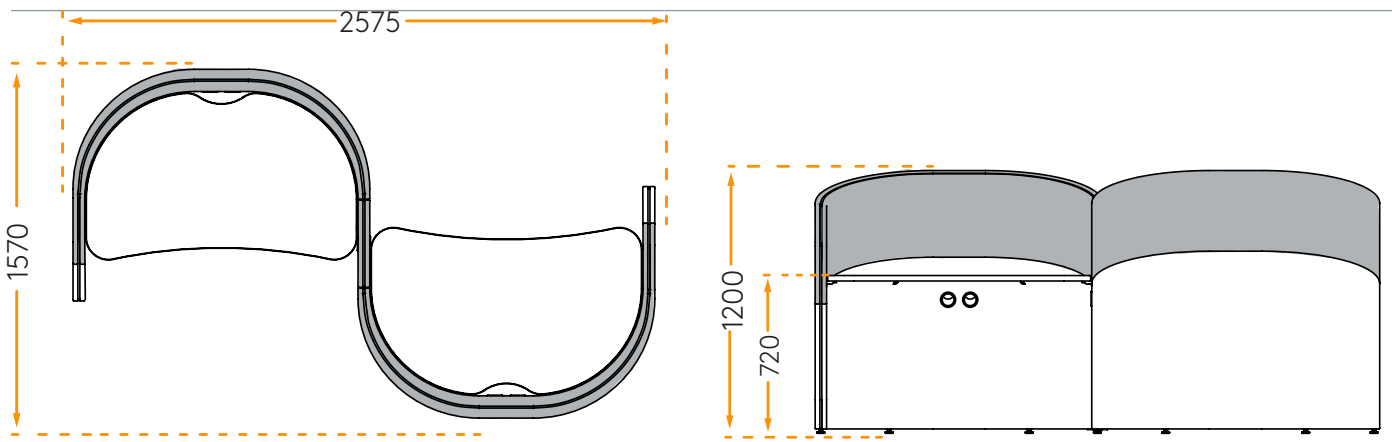
Futura HPL



Spectrum Eco



Designed and made in New Zealand.



Dimensions

About

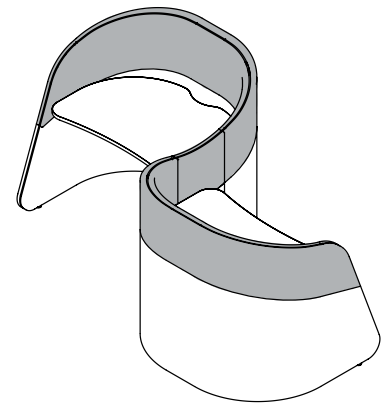
Designed by Troy Darrow of PLN Group, Park is a step up in modular workpods.

Park is a statement element that sets the atmosphere of a space.

Designed with acoustics in mind, Park works to minimize distractions and dampen noise while simultaneously being curved in a way that makes collaboration across the pods easy, and reduces the risk of distracting other pod users.

Built without limitations on length of the chain, you could simply have a double Park set up as the centerpiece of your space, or a hundred Parks chained across your work floor.

The visual inspiration for Park can be traced to swooping hillsclapes, crisscrossing and curving into one another.



Specifications

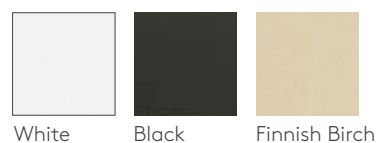
- High-quality materials and premium upholstery for long-lasting durability.
- Light-weight MDF frame, water-based glues
- Worktops available in Standard Melteca (LPL) with edgbanding, Plytech Futura (European Birch HPL), or Plytech Spectrum Eco (Finnish Birch HPL). Prices may vary, please enquire.
- Power Data excluded in standard pricing, please enquire.
- Internal routing provided; assumes floor sourced power connection
- Units nest for economical shipping.
- Weight: 84 kg

WORKTOP COLOURS

Standard Melteca



Futura HPL



Spectrum Eco



Designed and made in New Zealand.