

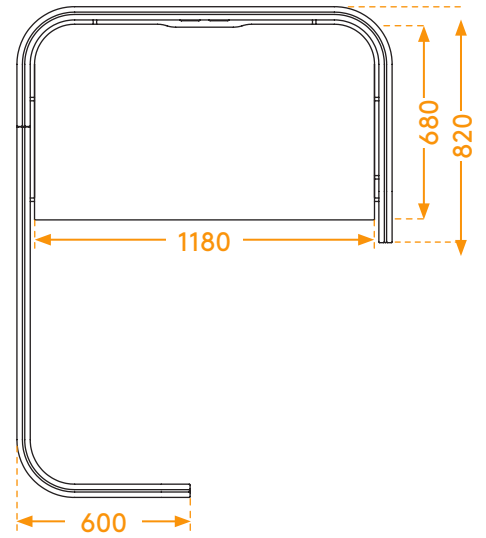
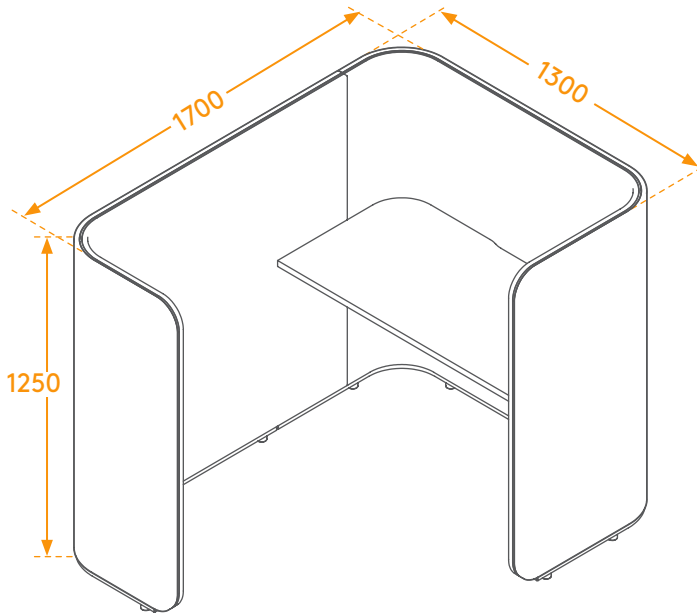


## RETURN FOCUS POD LITE

Designed by IQ Commercial

# RETURN FOCUS POD LITE

Designed by IQ COMMERCIAL



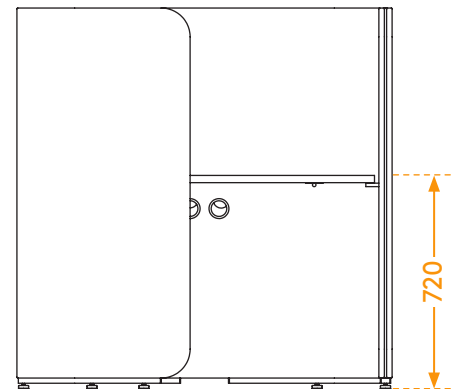
**Dimensions** 1700L x 1300W x 1250H

## About

Return Focus Pod Lite is a destination touch-down point which offers a privacy for individual focused work.

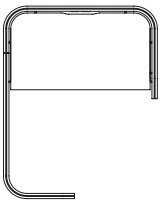
The soft, upholstered walls absorb noise common in today's open-plan office and provide shelter from both visual and acoustic distractions.

Easily installed and relocated, the pods are ideal for the agile workspace.

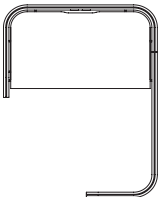


## Specifications

Right Hand



Left Hand



- Left or Right-handed orientation
- High-quality materials and premium upholstery for long-lasting durability.
- Light-weight MDF frame, water-based glues
- Worktops available in Standard Melteca (LPL) with edgebanding, Plytech Futura (European Birch HPL), or Plytech Spectrum Eco (Finnish Birch HPL). Prices may vary, please enquire.
- Power Data includes the base unit and an interconnect cable; starters may be required to be sourced locally. Internal routing provided; assumes floor sourced power connection

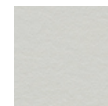
- Units nest for economical shipping.
- Weight: 60 kg

### WORKTOP COLOURS

#### Standard Melteca



Snowdrift



Seal Grey

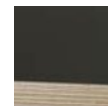


Sublime Teak

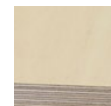
#### Futura HPL



White



Black



Finnish Birch

#### Spectrum Eco

Designed and made in New Zealand.

[www.plngroup.co.nz](http://www.plngroup.co.nz)